

FB SUCTION FILTERS WITH METAL CARTRIDGE



Preventing impurities from reaching the vacuum pump is fundamental to guarantee the correct operation and long duration.

This range of filters, to be placed on the vacuum pump suction inlet or on the plant pipeline, has been designed for this purpose. Their simple and rational structure features threaded connections for the installation and a lid, very easy to open, to allow easily cleaning the filtering cartridge. The lids are made with die-cast aluminium, as are the containers, except for the models FB 5, FB 10 e FB 20 which are in transparent plastic material (cellulose acetate), particularly resistant to shocks.

The standard filtering cartridges are in profiled stainless steel mesh, with a filtering degree equal to 44 μ . Upon request, they can be supplied with a filtering degree equal to 100 or 300 μ .

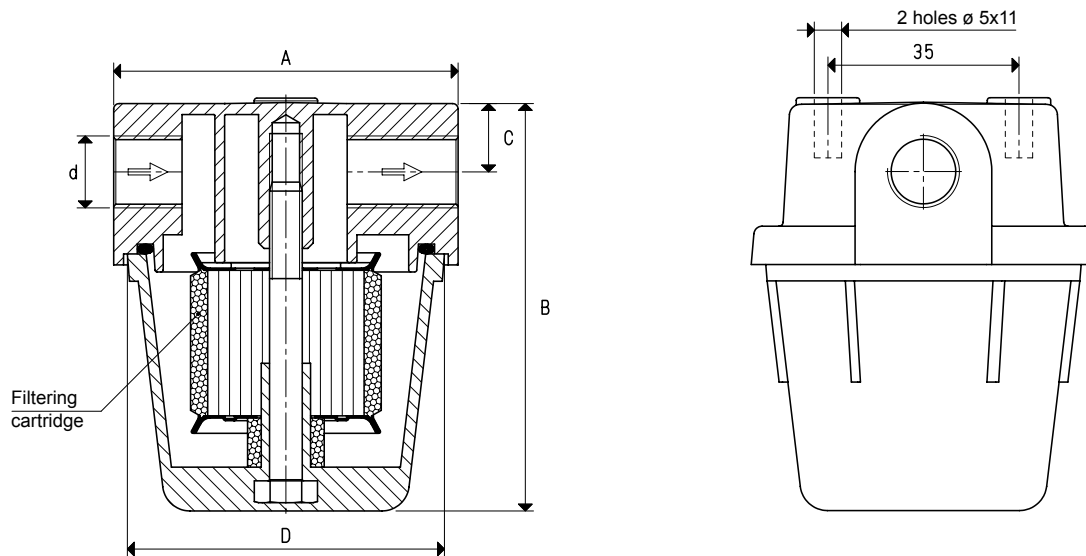
The capacity of these filters ranges from 5 to 300 cum/h.

Technical features

Working pressure: from 0.5 to 3000 mbar abs.

Fluid temperature: from -20 to +90 °C for filters with aluminium container from -20 to +50 °C for filters with containers in transparent plastic material

Filtering degree: 44 μ



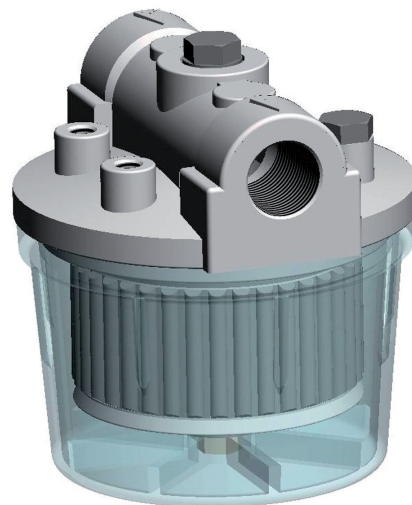
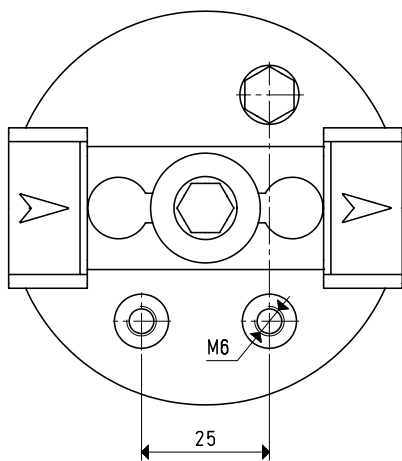
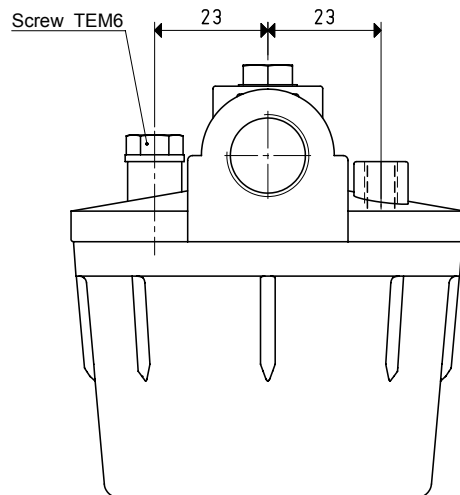
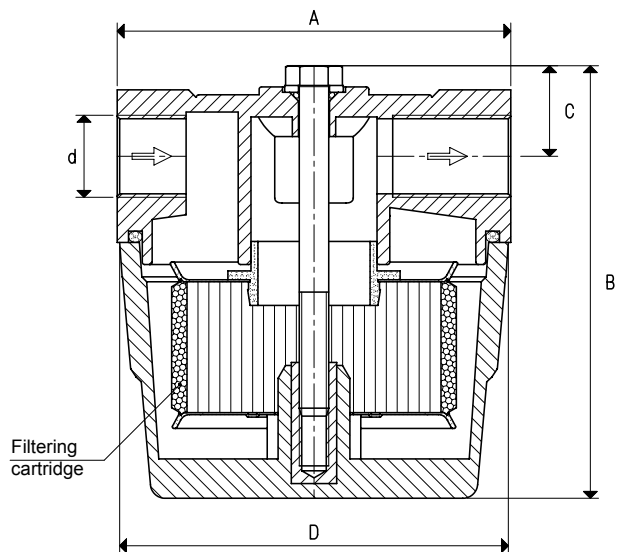
Art.	d	A	B	C	D	Max capacity	Spare cartridge art.	Spare sealing kit art.	Weight
	\emptyset				\emptyset	cum/h			g
FB 5	G1/4"	61	74.5	12.5	59	5	00 FB 03	00 KIT FB5	140

Conversion ratio: inch = $\frac{\text{mm}}{25.4}$; pounds = $\frac{\text{g}}{453.6}$ = $\frac{\text{Kg}}{0.4536}$

GAS-NPT thread adapters available at page 1.117

3D drawings available at www.vuototecnica.net

FB SUCTION FILTERS WITH METAL CARTRIDGE



3D drawings available at www.vuototecnica.net

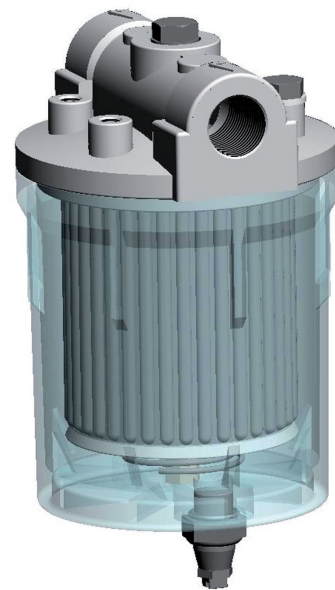
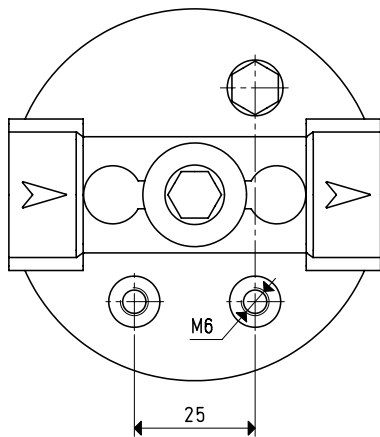
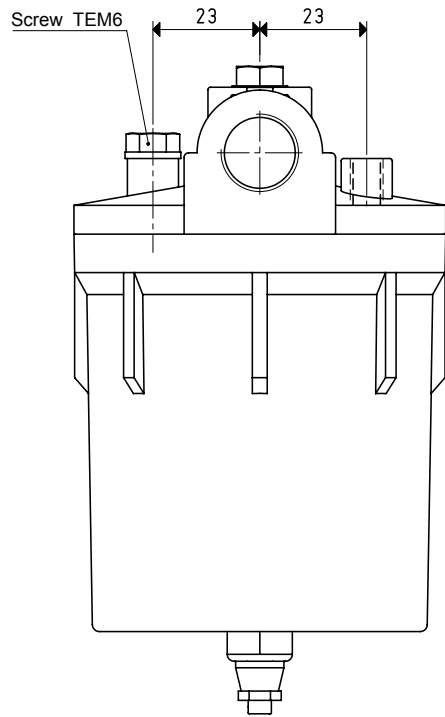
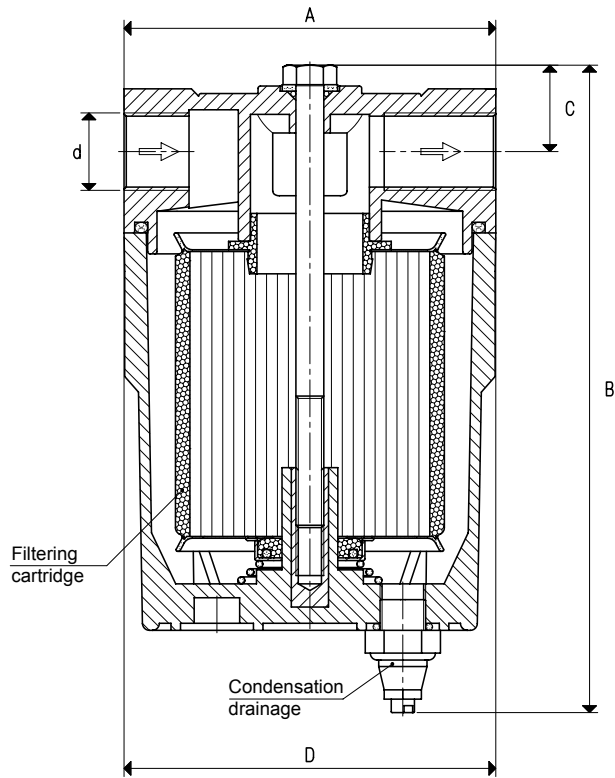
Art.	d	A	B	C	D	Max capacity	Spare cartridge art.	Spare sealing kit art.	Weight
	∅				∅	cum/h			g
FB 10	G3/8"	81	87	17	79	10	00 FB 13	00 KIT FB10	258

5.04

Conversion ratio: inch = $\frac{\text{mm}}{25.4}$; pounds = $\frac{\text{g}}{453.6} = \frac{\text{Kg}}{0.4536}$

GAS-NPT thread adapters available at page 1.117

FB SUCTION FILTERS WITH METAL CARTRIDGE



5

Art.	d	A	B	C	D	Max capacity	Spare cartridge art.	Sealing kit and small items art.	Weight
	∅				∅	cum/h			g
FB 20	G1/2"	81	116	17	79	20	00 FB 22	00 KIT FB20	312

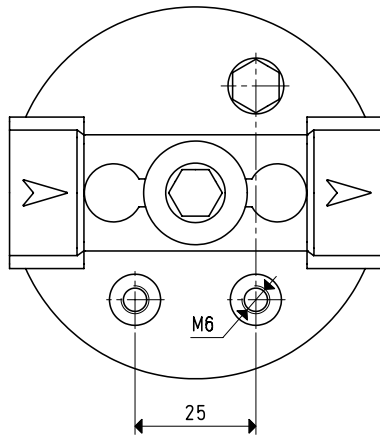
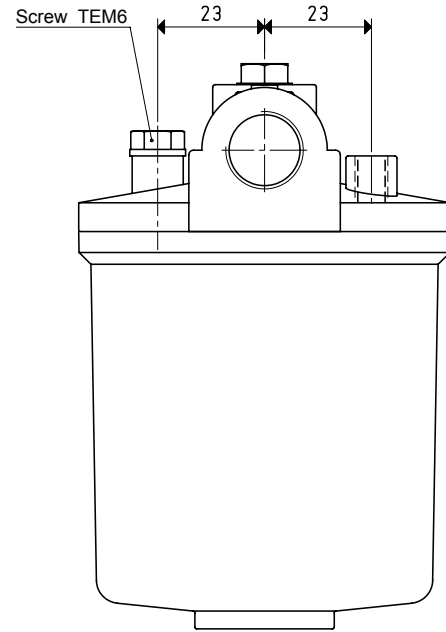
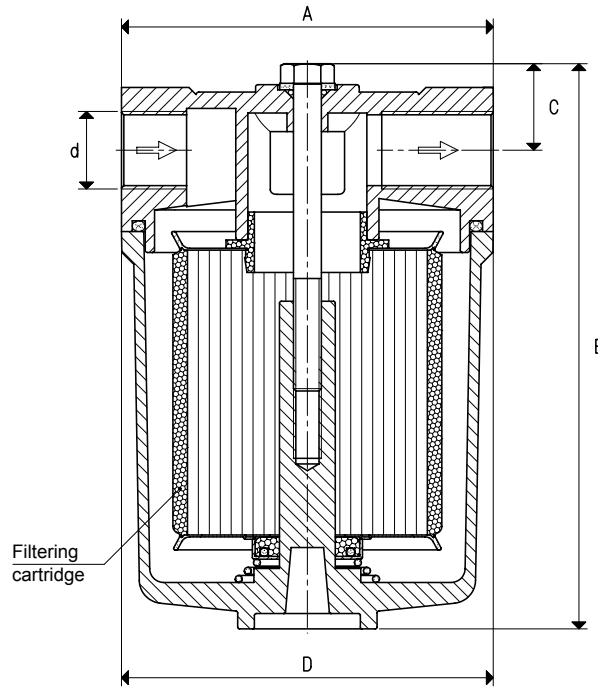
Conversion ratio: inch = $\frac{\text{mm}}{25.4}$; pounds = $\frac{\text{g}}{453.6}$ = $\frac{\text{Kg}}{0.4536}$

GAS-NPT thread adapters available at page 1.117

3D drawings available at www.vuototecnica.net

5.05

FB SUCTION FILTERS WITH METAL CARTRIDGE



3D drawings available at www.vuototecnica.net

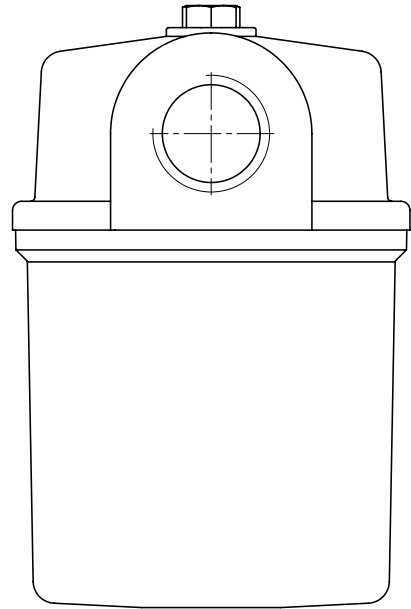
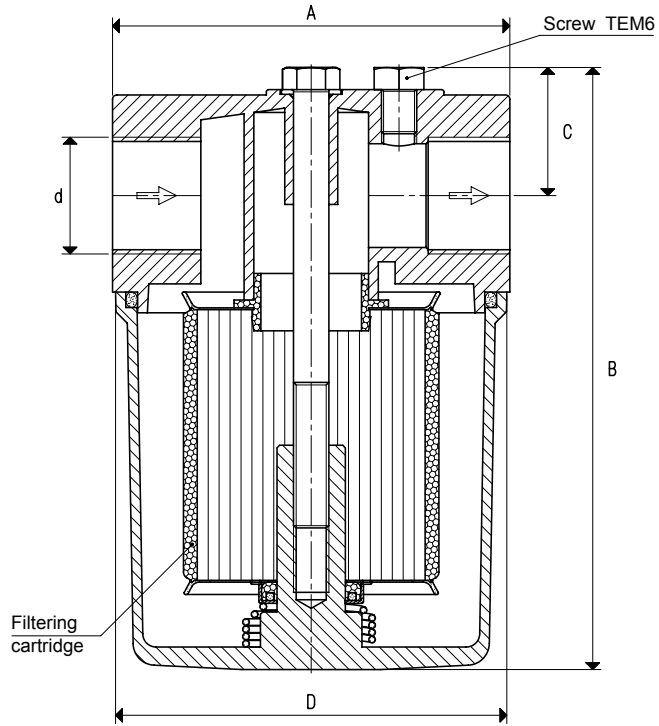
Art.	d	A	B	C	D	Max capacity	Spare cartridge art.	Sealing kit and small items art.	Weight
	∅				∅	cum/h			g
FB 20 A	G1/2"	81	121	17	81	20	00 FB 22	00 KIT FB20	394

5.06

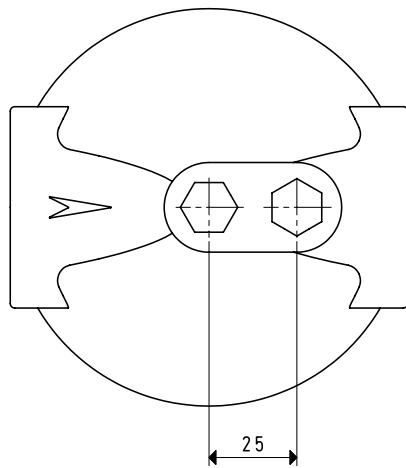
Conversion ratio: inch = $\frac{\text{mm}}{25.4}$, pounds = $\frac{\text{g}}{453.6} = 0.4536$ Kg

GAS-NPT thread adapters available at page 1.117

FB SUCTION FILTERS WITH METAL CARTRIDGE



5



Art.	d	A	B	C	D	Max capacity	Spare cartridge art.	Sealing kit and small items art.	Weight
	∅				∅	cum/h			g
FB 25	G3/4"	96	144	31	90	40	00 FB 22	00 KIT FB 25	594

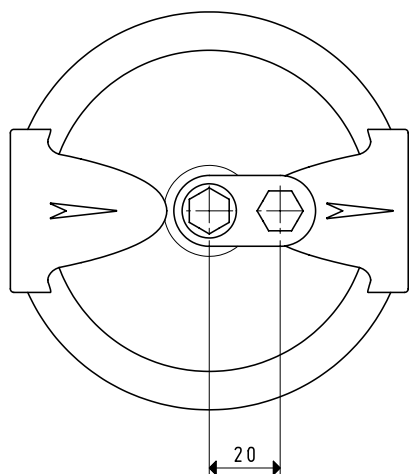
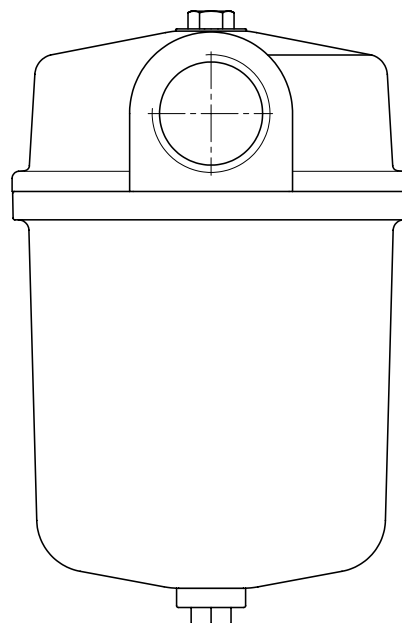
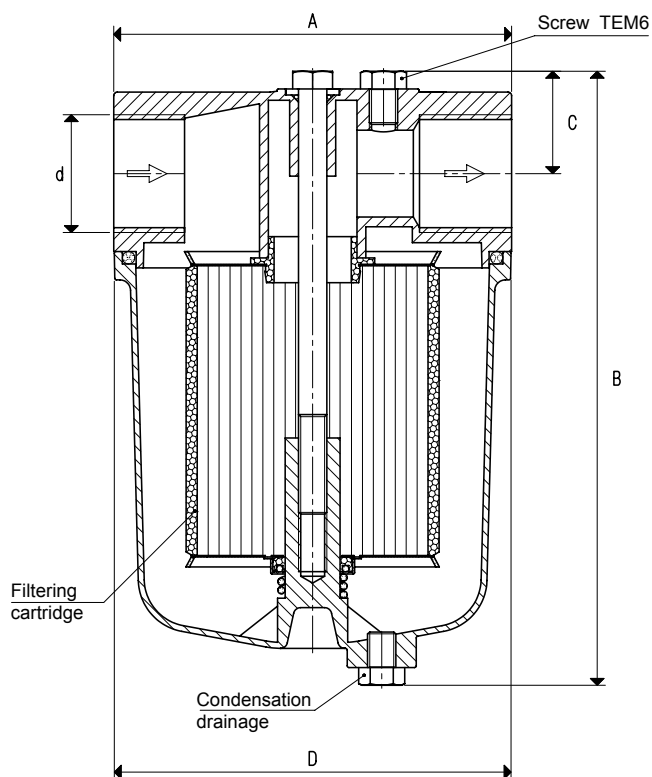
Conversion ratio: inch = $\frac{\text{mm}}{25.4}$; pounds = $\frac{\text{g}}{453.6}$ = $\frac{\text{Kg}}{0.4536}$

GAS-NPT thread adapters available at page 1.117

3D drawings available at www.vuototecnica.net

5.07

FB SUCTION FILTERS WITH METAL CARTRIDGE



3D drawings available at www.vuototecnica.net

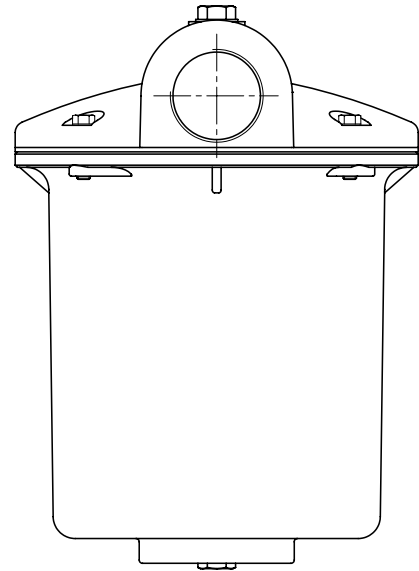
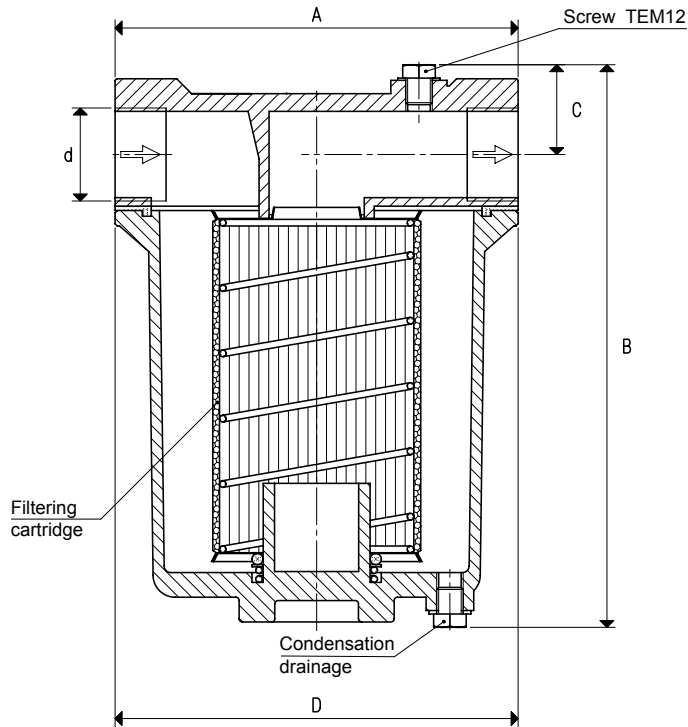
Art.	d	A	B	C	D	Max capacity	Spare cartridge art.	Sealing kit and small items art.	Weight
	∅				∅	cum/h			g
FB 30	G1"	120	181	31	112	70	00 FB 34	00 KIT FB 30	758

5.08

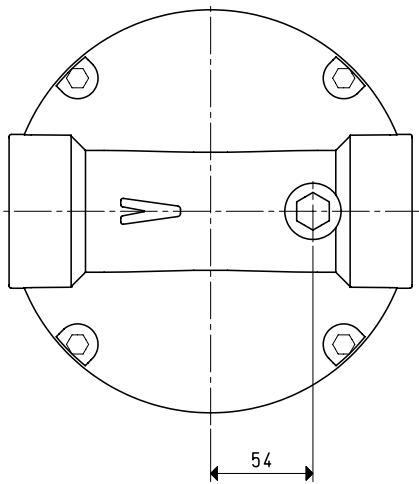
Conversion ratio: inch = $\frac{\text{mm}}{25.4}$, pounds = $\frac{\text{g}}{453.6} = \frac{\text{Kg}}{0.4536}$

GAS-NPT thread adapters available at page 1.117

FB SUCTION FILTERS WITH METAL CARTRIDGE



5



Art.	d	A	B	C	D	Max capacity	Spare cartridge art.	Sealing kit and small items art.	Weight
	∅				∅	cum/h			Kg
FB 40	G1" 1/4	190	255	39	182	150	00 FB 45	00 KIT FB 40	3.06
FB 50	G1" 1/2	190	255	39	182	200	00 FB 45	00 KIT FB 50	2.99

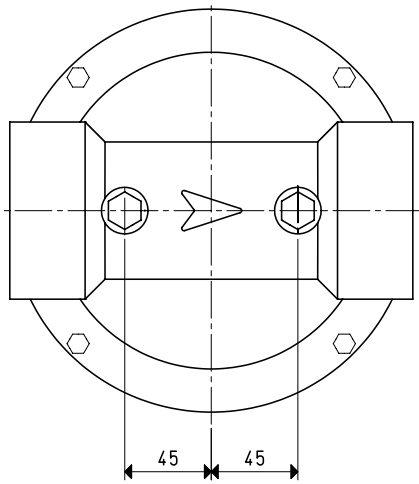
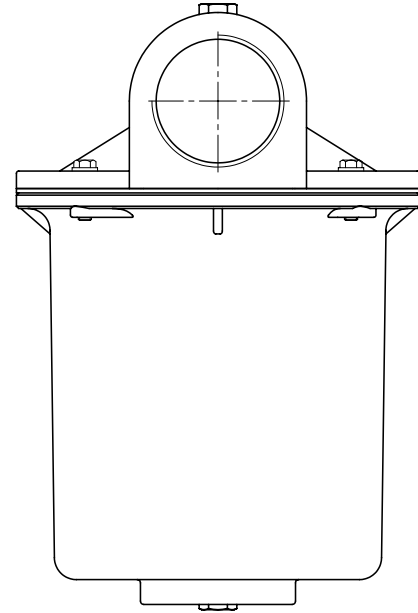
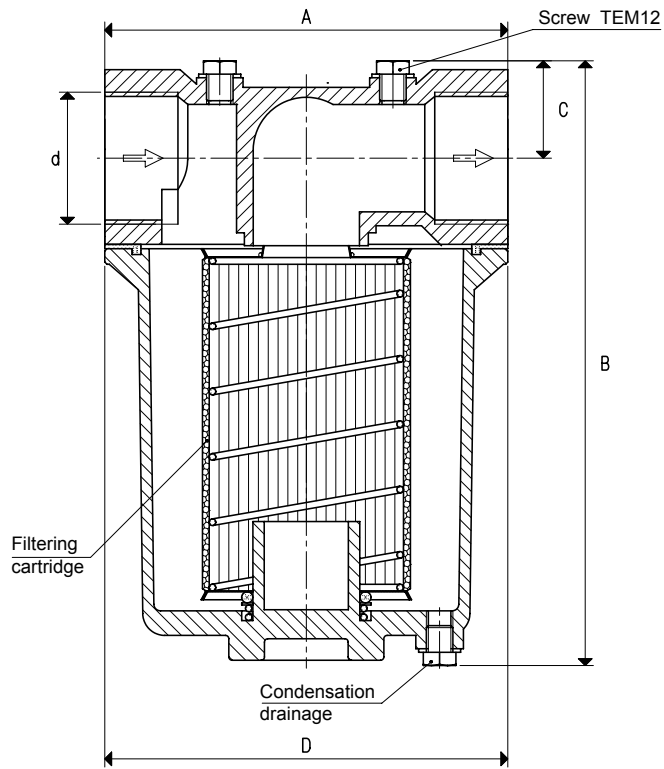
Conversion ratio: inch = $\frac{\text{mm}}{25.4}$; pounds = $\frac{\text{g}}{453.6}$ = $\frac{\text{Kg}}{0.4536}$

GAS-NPT thread adapters available at page 1.117

3D drawings available at www.vuototecnica.net

5.09

FB SUCTION FILTERS WITH METAL CARTRIDGE



3D drawings available at www.vuototecnica.net

Art.	d	A	B	C	D	Max capacity	Spare cartridge art.	Sealing kit and small items art.	Weight
	∅				∅	cum/h			Kg
FB 60	G2"	182	260	42	182	300	00 FB 52	00 KIT FB 60	3.18

5.10

Conversion ratio: inch = $\frac{\text{mm}}{25.4}$, pounds = $\frac{\text{g}}{453.6} = \frac{\text{Kg}}{0.4536}$

GAS-NPT thread adapters available at page 1.117